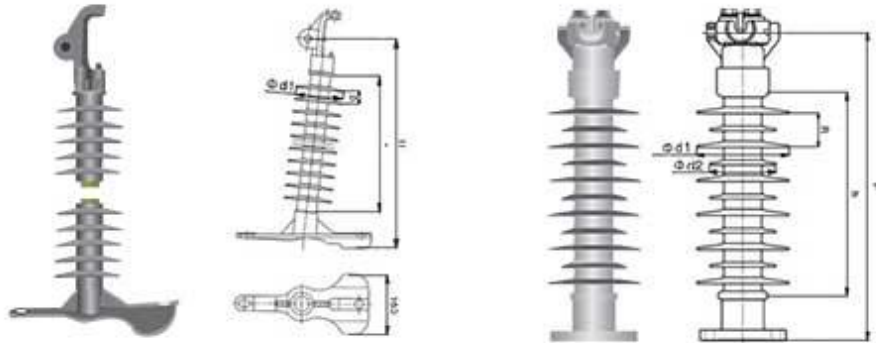


33kV 横担复合绝缘子 33kV Cross arm Composite Insulator



33kV 水平横担复合绝缘子示意图

Schematic Diagram of 33kV Level Cross arm Composite Insulator

33kV 垂直横担复合绝缘子示意图

Schematic Diagram of 33kV Vertical Cross arm Composite Insulator

33kV 横担复合绝缘子主要尺寸与特性

Main Dimensions and Characteristics of 33kV Cross arm Composite Insulator

Serial Number 序号	Type of Insulator 绝缘子型号	Specified Voltage 额定电压	Specified Mechanical Tensile load 额定机械负荷	Section Length 绝缘子长度	Min. Arcing Distance 最小爬电距离	Big Shed Diameter 伞直径	Min Nominal Creepage Distance 最小公称爬电距离	Lighting Impulse Withstand Voltage(peak value) (雷电)	Power Frequency Withstand Voltage Min. With(BMS) 工频 1 分钟耐受电压 (有效值)	Reference Weight 参考重量
		kV	kN	H mm	h mm	d1 mm	L mm	≧ kV	≧ kV	kg
1	FS-33/10	33	10	500 ± 5	305	128	1080	220	128	6.5
2	FS-33/12	33	12	588 ± 5	387	177	1080	300	148	8

说明：产品的尺寸、特性、连接方式和伞裙颜色等可按照客户具体要求设计、生产

Note: Product's dimension, characteristics, connecting type, shed color, etc can be designed and manufactured in accordance with customer's requirements.