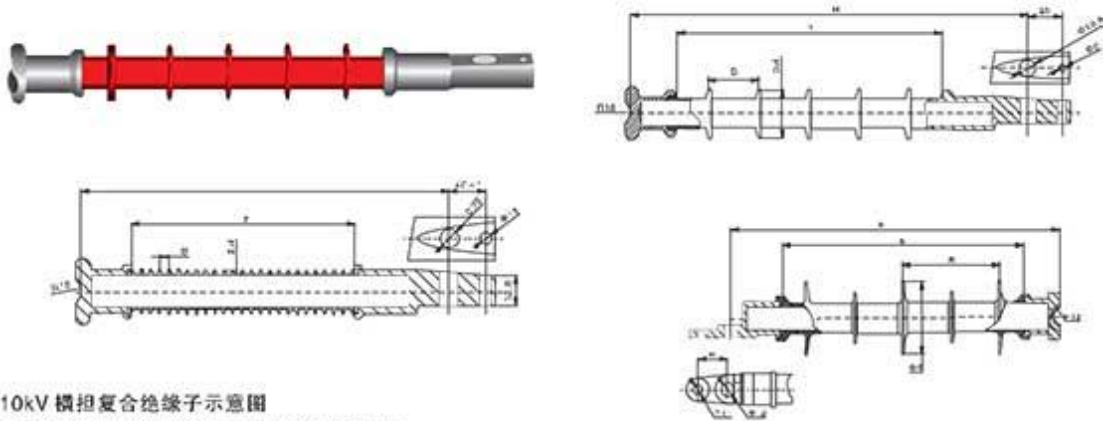


10kV 横担复合绝缘子 10kV Cross arm Composite Insulator



10kV 横担复合绝缘子示意图  
10kV Cross arm Composite Insulator Diagram

10kV 横担复合绝缘子主要尺寸与特性

Main Dimensions and Characteristics of 10kV Cross arm Composite Insulator

序号 Serial Number	绝缘子型号 Type of Insulator	额定电压 Specified Voltage	额定负荷 Specified Bearing Wire and Load	绝缘长度 绝缘长度 Section Length	最小爬电距离 Min. Arcing Distance	大伞直径 Big shed Diameter	最小公称爬电距离 Min. Nominal Creepage Distance	雷电冲击耐受电压(峰值) 雷电冲击耐受电压(峰值) Lightning Impulse Withstand Voltage(peak value)	工频耐受电压(有效值) 工频耐受电压(有效值) Power Frequency Withstand Voltage Min. Weir(RMS)	参考重量 Reference Weight
		kV	kN	H mm	h mm	d1 mm	L mm	≥ kV	≥ kV	kg
1	FS-1025-MJ-480	10	2.5	480 ± 5	330	58	400	150	60	1.9
2	FS-105-MJ-408	10	5	408 ± 5	243	46	380	150	60	2.9
3	FS-105-MJ-438	10	5	438 ± 10	330	96	490	150	60	3.5

说明: 产品的尺寸、特性、连接方式和伞裙颜色等可按照客户具体要求设计、生产

Note: Product's dimension, characteristics, connecting type, shed color, etc can be designed and manufactured in accordance with customer's requirements.